

6.15 Ball valve type: Dil

Parts



Product information

Material

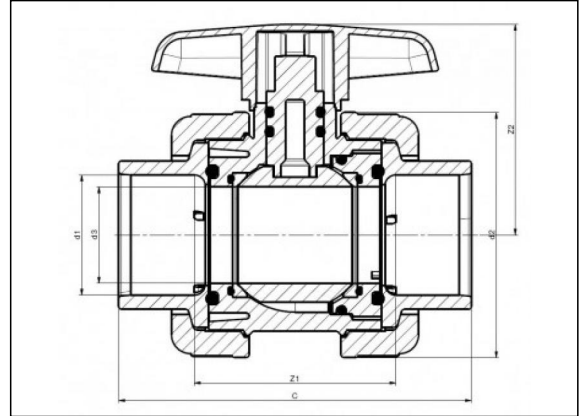
- PVC-U = Unplasticised Polyvinylchloride

Gaskets

- EPDM

Manufacture

- Injection moulded



Available items

ART.CODE	d1	d2	d3	Z1	Z2	C	DN	PN	Type	Verp	Mai#
6.15.016	16	59	15	54	56	84	10	16	A	50	0100842
6.15.020	20	59	15	50	56	84	15	16	A	50	0100843
6.15.025	25	64	20	54	57	93	20	16	A	50	0100844
6.15.032	32	73	25	64	66	108	25	16	A	50	0100845
6.15.040	40	86	32	69	75	122	32	16	A	25	0100846
6.15.050	50	102	40	87	90	148	40	16	A	15	0100847
6.15.063	63	124	50	102	102	175	50	16	A	10	0100848
6.15.075	75	151	63	128	123	216	65	10	B	5	7003054
6.15.090	90	178.5	75	152	143	256	80	10	B	3	7003056
6.15.110	110	215.5	90	184	161	306	100	10	B	1	7003055